

SECURAM

PROLOGIC L22



ProLogic L22 Safe Lock

The ProLogic L22 is a very reliable and robust safe lock system ideal for commercial applications with time/date stamped audit capability. The ProLogic L22 features SECURAM's rugged stainless steel construction and a backlit OLED Screen for easy viewing, programming and user feedback.

Simple to Use • Reliable

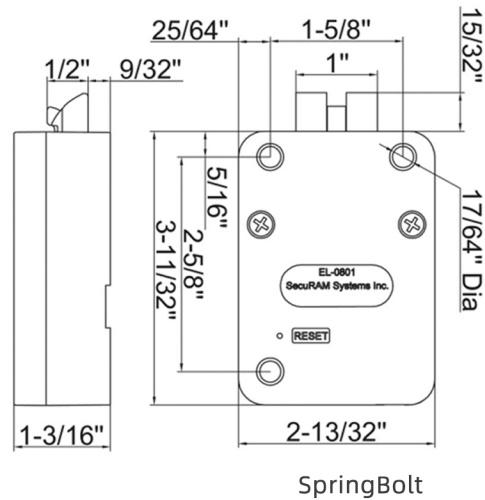
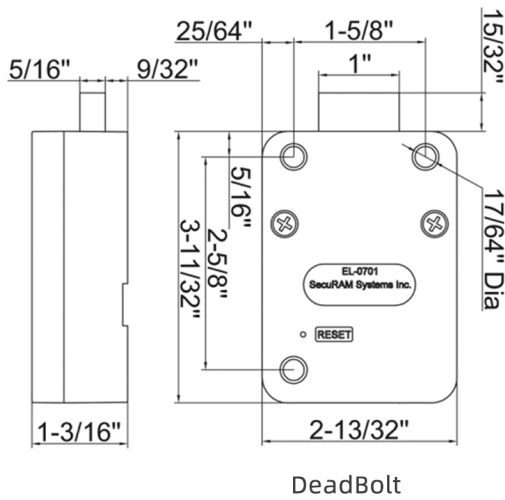
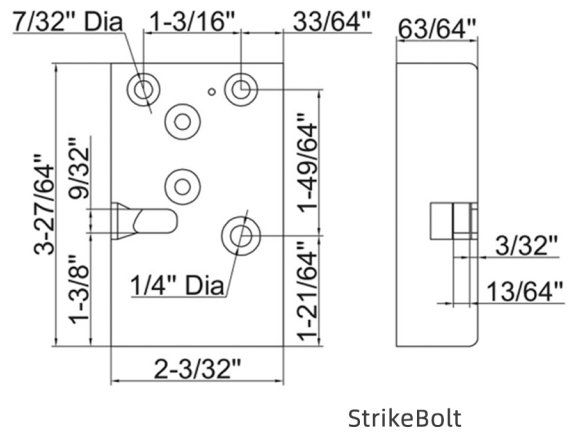
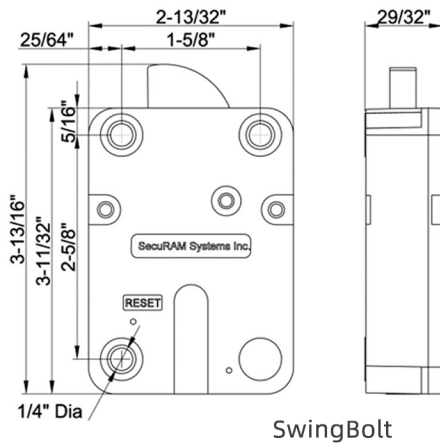
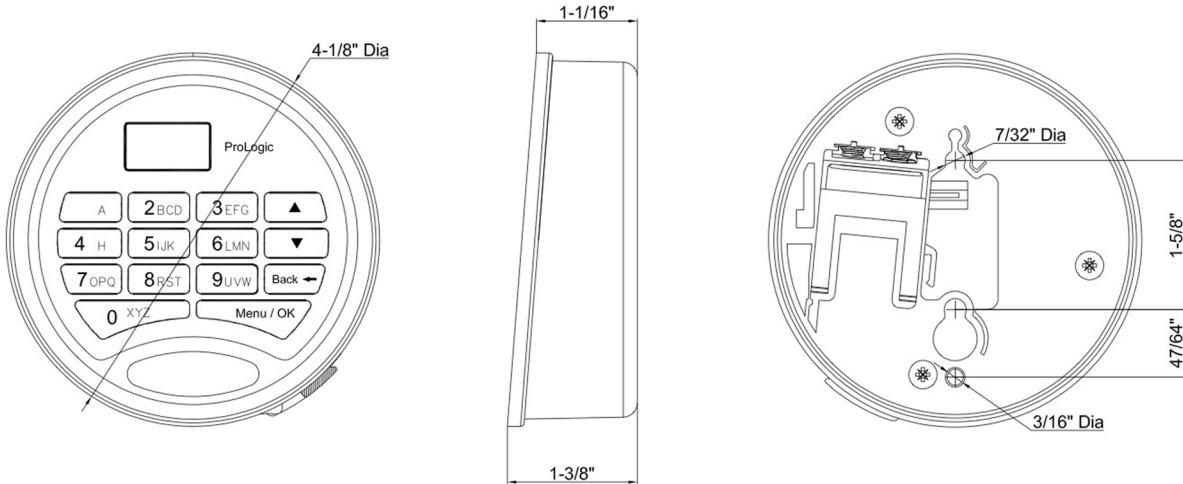
- Enter your 6 digit code and turn the safe handle. That's it.
- OLED Menu system guides the user through access and programming procedures.
- View Audit trail records on screen.
- Every SECURAM lock undergoes a 2,000 cycle quality management program before it leaves the manufacturing facility. Unprecedented commitment to quality and reliability.

Features

- OLED Screen for easy programming
- 30 User Codes: 2 Manager Codes, and 28 User Codes
- Super Code for programming management and control
- 6 or 8 Digit Code
- 200 Event Date/Time stamped audit trail
- Time Delay 0-99min; Time Window 1-15min
- Time Delay Override Codes
- Recovery Code
- Single or Dual Control Modes
- Enable/Disable User Codes
- Can Control up to 4 locks
- Penalty LockOut after 4 incorrect codes
- Stainless Steel EntryPad Housing
- Can be paired with any SECURAM Lock
- Standard footprint makes for easy retrofit
- Finishes: Chrome

Part # EC-0601A-L22-II-C-CH

SECURAM



Specifications

Power Supply	(1) 9V Alkaline Battery (Duracell)
Battery Life Span	About one year
Code Length	6-8 Digits
Standby Current	<50uA
Battery Low Voltage	5.4+/-0.2V
Operating Humidity	90% Maximum