

# SECURAM

# SAFELOGIC XTREME

**EMP-Proof Redundant  
Electro-Mechanical Safe Lock**



## SafeLogic XTREME Safe Lock

The SafeLogic Xtreme is a highly advanced electromechanical safe lock system that offers EMP protection. Access assured. SafeLogic Xtreme features push button code access for everyday use PLUS SpinDial access when situations demand it.

### Simple to Use • Reliable

- Push Button access: Enter your 6 digit code and turn the safe handle.
- Spin Dial Access: Dial your 3 wheel combination, and turn the safe handle. That's it.
- Easy keypad programming allows for code changes, additions, and deletions.
- Enable and Disable function also available.
- EntryPad is BackLit for easy code entry lighting -even in the dark.
- SafeLogic Xtreme features Instant AutoLock feature which assures your safe is locked and secure, the moment you close the door.

### Features

- 2 Codes: Manager Code and User Code PLUS SpinDial Combination
- EntryPad is BackLit. Press any button and the Backlighting activates
- Instant AutoLock feature
- 10,000+ openings on a 9 Volt battery
- 5 minute Penalty LockOut upon entry of 4 incorrect codes
- Rugged Stainless Steel EntryPad Housing
- Standard footprint and mounting pattern, easy retrofit for any mechanical or electronic safe lock
- Finishes Available: Chrome, Brass, Black Chrome



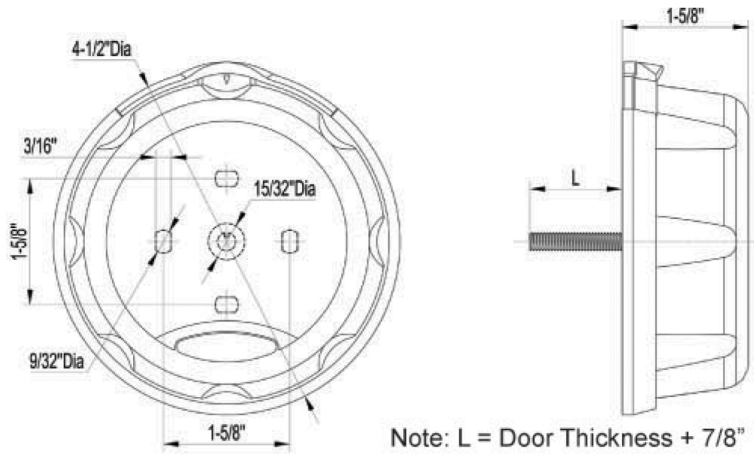
Push Button access  
for everyday use



SpinDial access  
for Xtreme situations

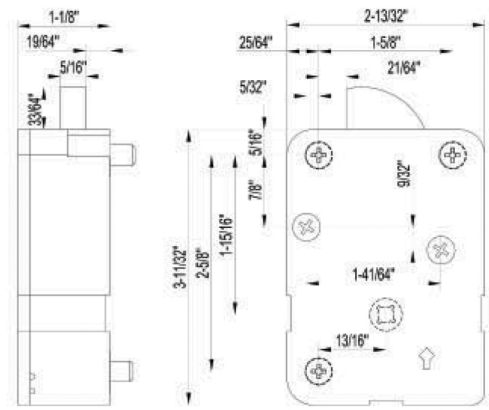
EntryPad Part #: EC-1501A-X  
Lock Part #: XL-1501

SECURAM

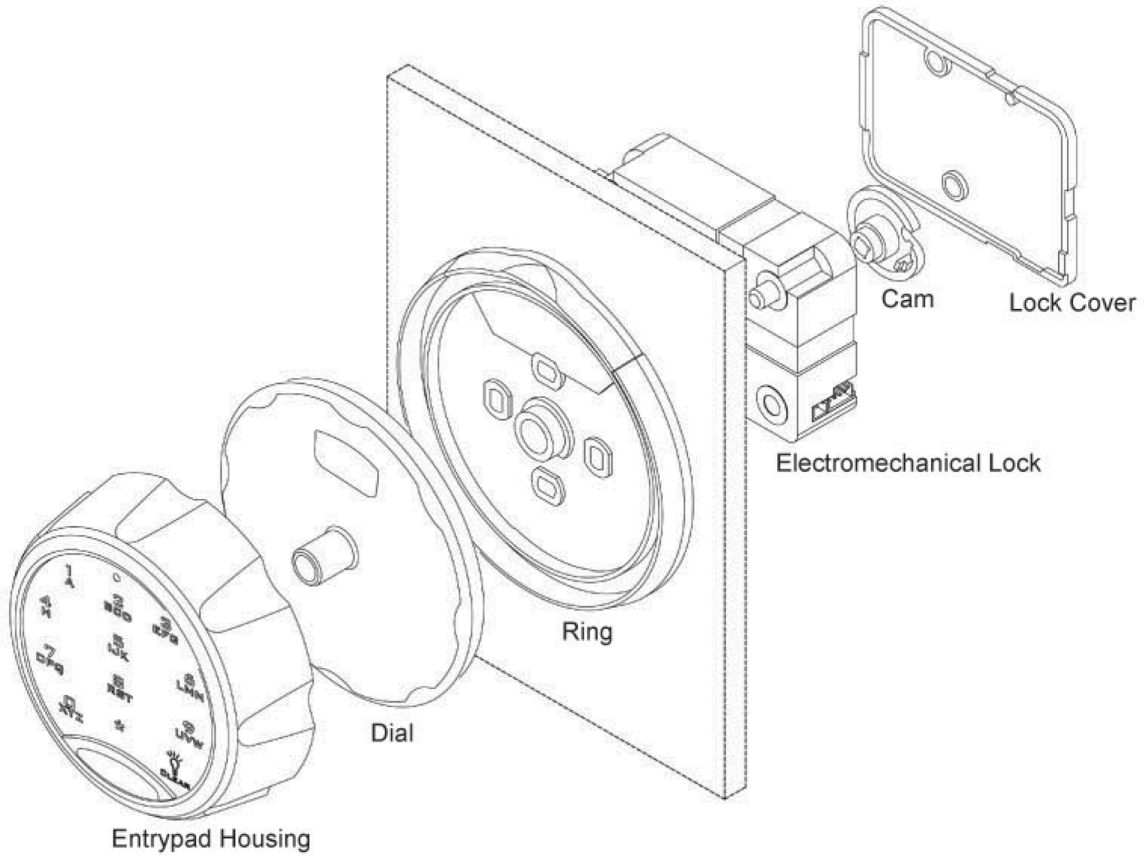


Note: L = Door Thickness + 7/8"

SafeLogic Xtreme – Part # EC-1501A-X



Electromechanical Part # XL-1501



Specifications	
Code Length	6 Digits; 3 Number SpinDial Combination
Battery Life Span	About one year
Standby Current	<50uA
Battery Low Voltage	5.4+/-0.2V
Operating Humidity	90% Maximum